

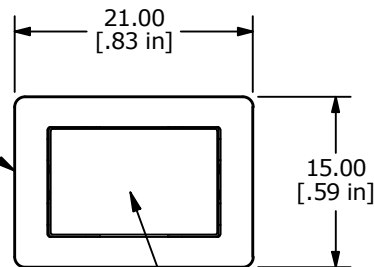
RECOMMENDED PANEL MOUNTING

PANEL THICKNESS	X
0.75-1.25	19.1 - 19.2
1.25-2.00	19.3 - 19.4
2.00-3.00	19.5 - 19.6

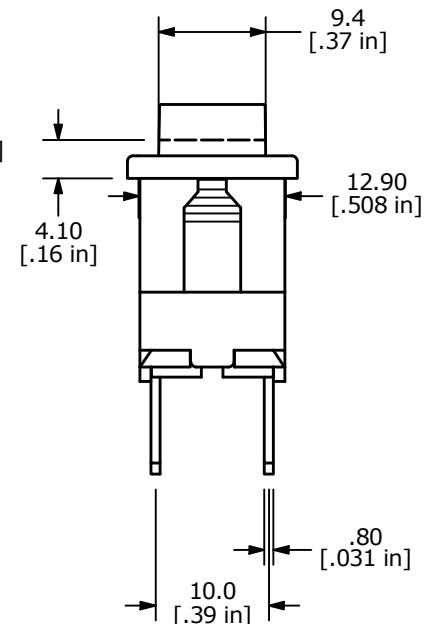
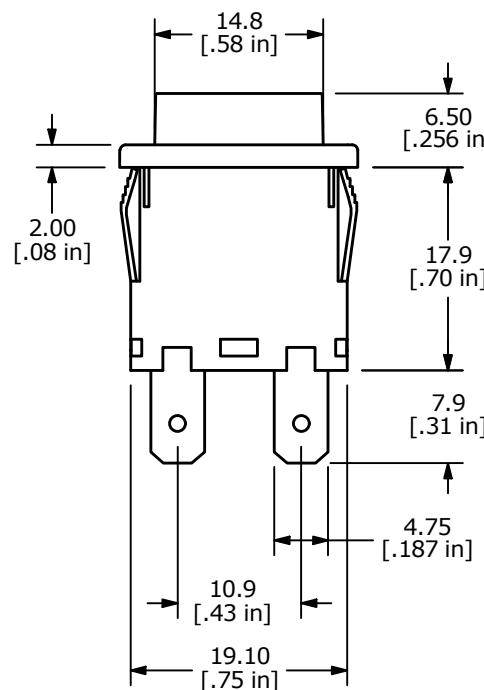
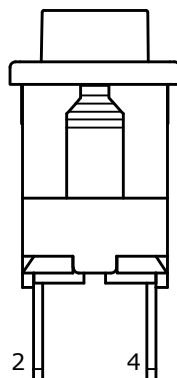
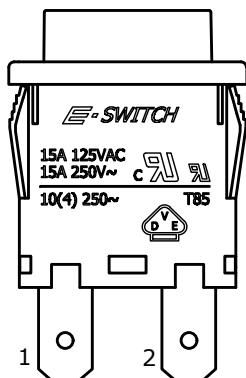
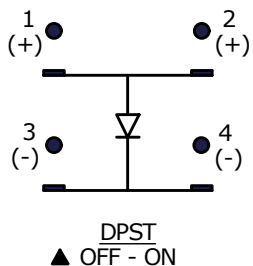
▲ SWITCH FUNCTION

POS. 1	POS. 2
OFF	ON
OPEN	1-2, 3-4

▲ HOUSING: BLACK



▲ ACTUATOR COLOR: GREEN ILLUMINATED



NOTES:

1. ALL DIMENSIONS IN MM [INCH]
2. GENERAL TOLERANCE: X.X ± 0.4  
X.XX ± 0.25
3. MECHANICAL LIFE: 30,000 min.
4. ELECTRICAL LIFE: 10,000 min.
5. CONTACT RESISTANCE: 20 Milli-OHMS max.
6. INSULATION RESISTANCE: 1000 Mega-OHMS min.
7. OPERATING TEMPERATURE: -10°C TO 55°C
8. CONTACT RATING: 15A @ 250 VAC, 125VAC UL  
10A @ 250VAC, VDE
9. DIELECTRIC STRENGTH: 1500V FOR 1 MIN
- ▲ 10. LAMP: LED, 24VDC
11. ▲ DENOTES CRITICAL PARAMETER
12. OPERATING FORCE: 750±100grams



B	24453	lamp to LED	8/20/20	MW
A	19261	RELEASE FOR PRODUCTION	8/26/10	BLR
REV	PCR NO	DESCRIPTION	DATE	BY

TITLE PB1973GBLKGILEF4				
SCALE 1.5	DATE 8/26/2010	DR BLR	DWG M197316	REV B

THE INFORMATION CONTAINED IN THIS DOCUMENT IS PROPRIETARY TO E-SWITCH AND IS NOT TO BE COPIED OR TRANSFERRED